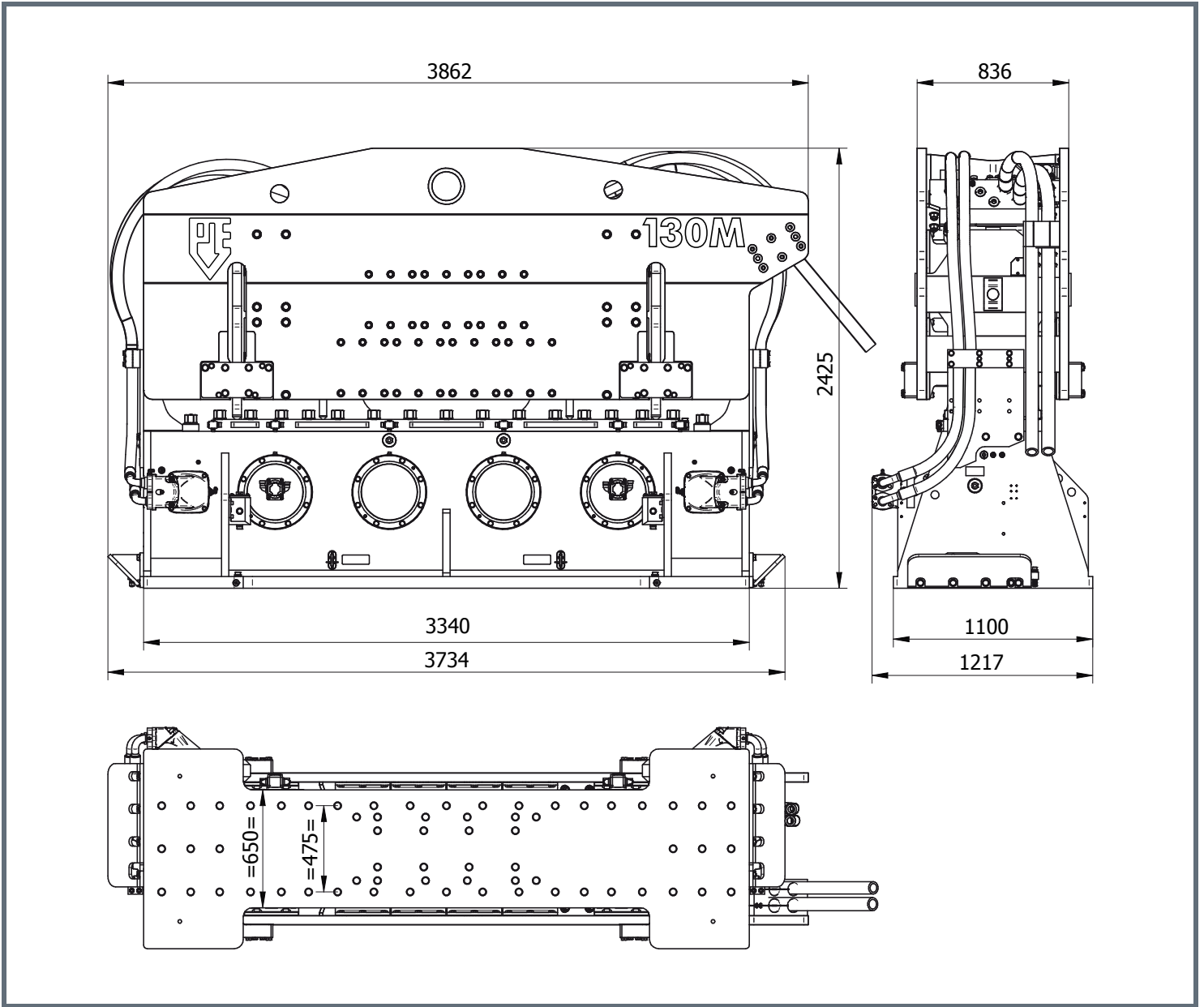




Specification Sheet

PVE 130M

Standard Frequency Vibro Hammer



Specifications

130M

Eccentric moment	11280 inch-lbs	Clamps:	
Max. centrifugal force	314 tons	Sheet pile clamp	DWK 350T
Max. frequency	1400 rpm	Transport weight per piece	5732 lbs
Max. amplitude excluding DWK 350T	0.98 inch	Double clamps	PPK 175T
Max. amplitude including DWK 350T	0.79 inch	Transport weight per piece	2866 lbs
Max. static line-pull	142 tons		
Max. operating pressure	5080 psi	Powerpack:	
Max. oil flow	342 gpm	Model	1400
Forced lubrication	yes		
Dynamic weight excluding DWK 350T	22970 lbs	Hose set:	
Dynamic weight including DWK 350T	28700 lbs	Length	148 feet
Total weight excluding DWK 350T & hoses	37260 lbs	Transport weight (±)	2712 lbs